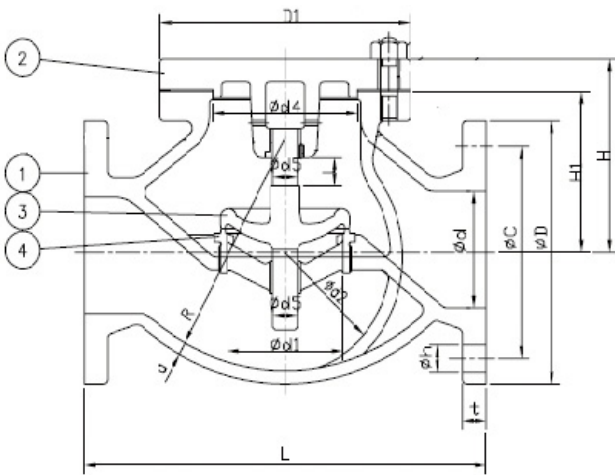




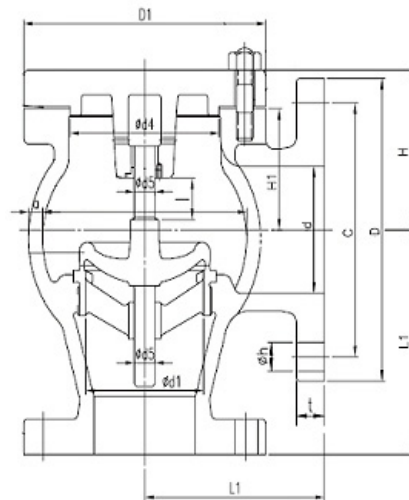
MARINE CAST IRON 5K LIFT CHECK GLOBE VALVE - JIS F7358

MARINE CAST IRON 5K LIFT CHECK ANGLE VALVE - JIS F7359

Manufactured in accordance to JIS F7400
Flanges as per JIS B2220 - 5K



<JIS F7358>



<JIS F7359>

No.	Component	Material
1	Body	Cast Iron
2	Bonnet	Cast Iron
3	Disc	Bronze
4	Seat	Bronze

Nominal Diameter	Test Pressure MPa [kgf/cm ²]	
	Body	Seat
50 to 200	1.04 [10.5]	0.39[4] ~ 0.76 [7.7]

Size	F7358										F7359								
	L	D	C	n-h	t	H	D1	a	Kg	L1	D	C	n-h	t	H	D1	a	Kg	
50A	210	130	105	4-15	16	107	140	8	11.3	100	130	105	4-15	16	77	140	8	9.5	
65A	250	155	130	4-15	18	124	160	9	16.8	115	155	130	4-15	18	81	160	9	13.8	
80A	280	180	145	4-19	18	129	190	9	23.2	130	180	145	4-19	18	84	190	9	18.9	
100A	340	200	165	8-19	20	146	215	10	32.5	150	200	165	8-19	20	96	215	10	25.6	
125A	510	235	200	8-19	20	166	245	11	48.1	170	235	200	8-19	20	108	245	11	36.7	
150A	480	265	230	8-19	22	188	270	12	67.9	190	265	230	8-19	22	125	270	12	50.9	
200A	-	-	-	-	-	-	-	-	-	220	320	280	8-23	24	157	335	13	95	